

ST SUPER THERMOCOUPLES

MODEL SST-1110M

***GENERAL SPECIFICATION**

- PROBE TYPE SUPER SHEATHED TYPE
- TRANSITION UNIVERSAL STANDARD(OSTW) MINI(SMPW) CONNECTOR TYPE
- MOUNTING TYPE NONE

***ORDER SPECIFICATION**

ELEMENT

1 CALIBRATION

- 1. N 2. K

2 GRADE

- 1. CLASS 1 2. CLASS 2
- 3. CLASS 3 4. OTHER []

3 NUMBER OF ELEMENT WIRE

- 1. 2-WIRE [SINGLE] 2. 4-WIRE [DUAL]

4 TYPE OF HOT JUNCTION

- 1. GROUNDED TYPE 2. UNGROUNDED TYPE
- 3. EXPOSED TYPE

SHEATHED TUBE

5 MATERIAL

- 1. SUPPER ALLOY 2. OTHER []

6 OUT DIA (φD)

- 1. 0.25 2. 0.5 3. 1.0 4. 1.6
- 5. 2.3 6. 3.2 7. 4.8 8. 6.4
- 9. 8.0 10. OTHER []

7 LENGTH (L)

- _____ mm

SLEEVE

8 OUT DIA (φDn)

- _____

9 LENGTH (A)

- _____ mm

EXTENSION WIRE

10 INSULATION

- 1. SHIELD 2. PVC
- 3. GLASS 4. OTHER []

11 COVER MATERIAL

- 1. NONE 2. FLEXIBLE TUBE 3. OTHER []

12 LENGTH (L1)

- _____ mm

CONNECTOR

13 TYPE

- 1. STANDARD(OSTW) 2. MINI(SMPW)

SPECIAL REQUIREMENT

A

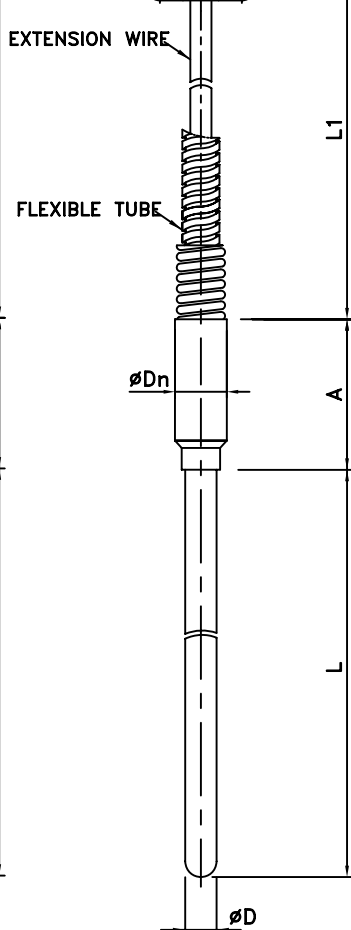
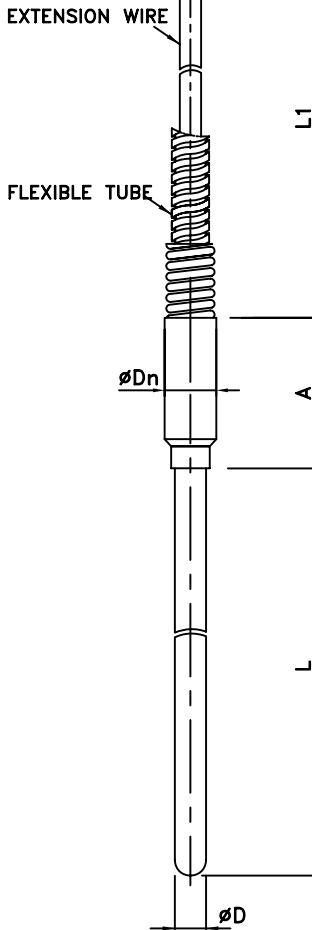
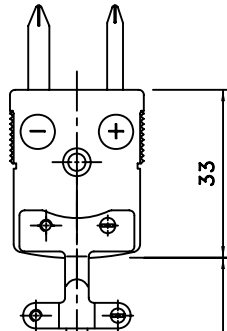
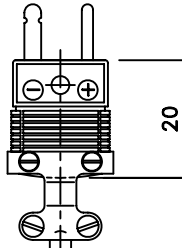
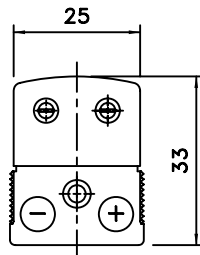
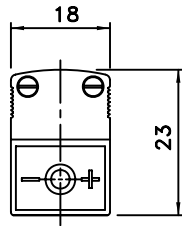
B

C

D

E

F



5				
4				
3				
2				
1				
Item	Part Name	Material	Q'ty	Remark

CUSTOMER			
MODEL			

Design	Scale	N.S
Checked	Wt Est - kg	
Approved	Date	